

Cable Glands for SWB, STA and Shielded Cables

ORION OFFSHORE



Technical Details		
Material	Body, Cap	Brass, Brass Nickel Plated, Stainless Steel, Aluminium
	Inner Part	Brass, Brass Nickel Plated, Stainless Steel, Aluminium
	Seal	CR (Chloroprene), Silicone
	O-ring	CR (Chloroprene), Silicone
Ingress Protection Rating	IP 68 - 5 Bar, 30 min IP 66	
Operating Temperature	Seal Material	
	CR (Chloroprene)	Silicone
		-40°C to +100°C
		-60°C to +130°C
Equipment For	Gas & Dust potentially explosive atmospheres	
Suitable for use in	Group II	Gas Group IIC ZONE1/ZONE2
	Group III	Dust Group IIIC ZONE21/ZONE 22
Equipment Marking	Ex II 2GD Ex db IIC Gb Ex eb IIC Gb Ex tb IIIC Db	
Marking Example *	BMD KBAO.. CE 0722  II 2GD Ex db IIC Gb Ex eb IIC Gb Ex tb IIIC Db	
	Ta -40°C +100°C IP66/68 CESI 13 ATEX 033X IECEx CES 13.0013X	
Thread Type	<ul style="list-style-type: none"> • Metric (M) ISO Pitch 1,5 • NPT (N) ANSI ASME B1.20.1 • Other thread types also available upon request. 	
Cable Type	SWB - STA - Shielded	
Accessories	• Lock nuts	
	• Gaskets (Washers)	
	• Serrated Washers	
	• Shrouds	
	• Earth tags	
Remarks	<ul style="list-style-type: none"> • O-ring available in Metric outer threads. • Accessories must be ordered separately. 	
Approvals	Certificate Number	Standards
	CESI 13 ATEX 033X	EN 60079-0:2012+A11:2013 EN 60079-1:2014 EN 60079-7:2015 EN 60079-31:2014
	IECEX CES 13.0013X	IEC 60079-0:2011 Edition:6 IEC 60079-1:2014 Edition:7 IEC 60079-31:2013 Edition:2 IEC 60079-7:2015-08 Edition:5
	20170315-E199260	UL 514B UL 50E
	№ TC RU C-TR.AA87.B.00941	ГОСТ 31610.0-2014 ГОСТ IEC 60079-1:2013 ГОСТ IEC 60079-31:2013
	DNV 12.0053 X	ABNT NBR IEC 60079-0:2013, ABNT NBR IEC 60079-1:2009, ABNT NBR IEC 60079-7:2008, ABNT NBR IEC 60079-31:2011
	E-14044	IEC/EN60079-0, IEC/EN60079-7, IEC/EN60079-31 IEC/EN60079-1, IEC/EN 62444
	MASC MS/18-0240X	SANS (IEC) 60079-0 : 2011 SANS (IEC) 60079-1 : 2014 SANS (IEC) 60079-7 : 2007 SANS (IEC) 60079-31 : 2014

-For more information see our webpage.

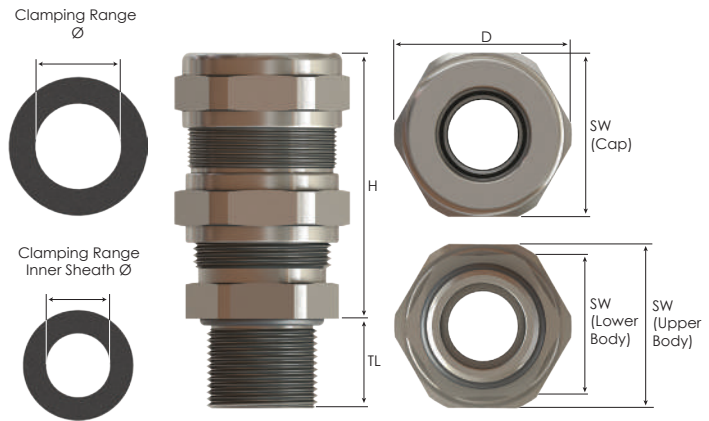
* The standard marking consists ATEX & IECEx only. Marking acc. to other standards on request.



Order Coding								
Part Number	Material	Seal	-	Gasket (Washer)	Serrated Washer	Lock Nut	Shroud	Earth Tag
Mandatory	Mandatory	Mandatory	-	Option	Option	Option	Option	Option
See table	B Brass BN Brass nickel plated X Stainless steel 316L A Aluminium	C Chloroprene S Silicone	-	WC Chloroprene WS Silicone WF Fiber	WSR Serrated washer	L Lock nut	S Shroud	E Earth tag
Example	KBAO4M	BN	S	WC	WSR	L	S	E

ORION OFFSHORE

Cable Glands for SWB, STA and Shielded Cables



Thread Type **METRIC** acc. to ISO 965 - 3

Outer Thread Size (Male)	Clamping Range		Shield Wire Ø min-max mm	Outer Thread Length TL mm	Spanner Width			Outer Ø D mm	max. Height H mm	Part Number
	Inner Sheath Ø min-max mm	Ø min-max mm			Cap SW Cap mm	Upper Body SW Upper Body mm	Lower Body SW Lower Body mm			
M12x1,5	3,0 - 7,5	6,0 - 12,0	0,20 - 0,50	15	26	26	22	29,0	50,5	KBAO0SLM
	3,0 - 8,5	6,0 - 12,0	0,20 - 0,50	16	26	26	22	29,0	49,5	KBAO01SM
M16x1,5	6,0 - 12,0	8,5 - 16,0	0,20 - 0,50	16	29	29	25	31,5	52,0	KBAO01M
	3,0 - 8,5	6,0 - 12,0	0,20 - 0,50	16	26	26	24	29,0	50,0	KBAO1SM
M20x1,5	6,0 - 12,0	8,5 - 16,0	0,20 - 0,50	16	29	29	25	31,5	51,5	KBAO1M
	8,5 - 14,5	12,0 - 20,0	0,20 - 0,50	16	32	30	28	35,0	54,0	KBAO1LM
	3,0 - 8,5	6,0 - 12,0	0,20 - 0,50	18	26	26	29	31,5	50,0	KBAO2XSM
M25x1,5	6,0 - 12,0	8,5 - 16,0	0,20 - 0,50	18	29	29	29	31,5	52,5	KBAO2SM
	8,5 - 16,0	12,0 - 21,0	0,20 - 0,40	18	34	34	32	37,0	56,5	KBAO2M
	12,0 - 20,0	16,0 - 26,0	0,20 - 0,50	18	40	40	36	44,0	63,0	KBAO2LM
M32x1,5	6,0 - 12,0	8,5 - 16,0	0,20 - 0,50	18	29	29	36	39,8	52,5	KBAO3XSM
	12,0 - 20,0	16,0 - 26,0	0,20 - 0,50	18	40	40	40	44,0	64,0	KBAO3SM
	15,0 - 26,0	20,0 - 33,0	0,30 - 0,80	18	52	52	48	57,0	81,0	KBAO3M
M40x1,5	12,0 - 20,0	16,0 - 26,0	0,20 - 0,50	18	40	40	45	50,0	64,0	KBAO4XSM
	15,0 - 26,0	20,0 - 33,0	0,30 - 0,80	18	52	52	48	57,0	81,0	KBAO4SM
	20,0 - 32,0	29,0 - 41,0	0,15 - 0,75	18	60	60	55	66,0	92,0	KBAO4M
M50x1,5	15,0 - 26,0	20,0 - 33,0	0,30 - 0,80	18	52	52	54	60,0	81,0	KBAO5XSM
	20,0 - 32,0	29,0 - 41,0	0,15 - 0,75	18	60	60	55	66,0	92,0	KBAO5XMM
	22,0 - 35,0	33,0 - 48,0	0,25 - 0,90	18	75	70	60	83,0	100,0	KBAO5SM
M63x1,5	27,0 - 41,0	36,0 - 52,0	0,25 - 1,30	18	74	70	70	81,8	104,5	KBAO5M
	22,0 - 35,0	33,0 - 48,0	0,25 - 0,90	20	75	70	68	83,8	100,0	KBAO6XSM
	27,0 - 41,0	36,0 - 52,0	0,25 - 1,30	20	74	70	70	81,8	104,5	KBAO6XMM
M75x1,5	35,0 - 45,0	43,0 - 57,0	0,40 - 1,10	20	80	80	85	89,5	109,5	KBAO6SM
	40,0 - 52,0	47,0 - 60,0	0,30 - 1,30	20	85	85	85	94,0	111,5	KBAO6M
	35,0 - 45,0	43,0 - 57,0	0,40 - 1,10	20	80	80	85	94,0	109,5	KBAO7XSM
M90x1,5	40,0 - 52,0	47,0 - 60,0	0,30 - 1,40	20	85	85	90	110,5	127,5	KBAO7SM
	45,0 - 60,0	54,0 - 70,0	0,30 - 1,40	20	100	95	95	110,5	127,5	KBAO7M
	40,0 - 52,0	47,0 - 60,0	0,30 - 1,30	20	85	85	100	110,5	111,5	KBAO8XSM
M110x1,5	45,0 - 60,0	54,0 - 70,0	0,30 - 1,40	20	100	95	95	110,5	127,5	KBAO8SM
	60,0 - 72,0	63,0 - 80,0	0,30 - 3,30	20	115	115	110	127,0	158,0	KBAO8M
	45,0 - 60,0	54,0 - 70,0	0,30 - 1,40	20	100	95	120	128,0	127,5	KBAO10SM
	60,0 - 72,0	63,0 - 80,0	0,30 - 3,30	20	115	115	120	128,0	158,0	KBAO10M

Cable Glands for SWB, STA and Shielded Cables

ORION OFFSHORE



Technical Details		
Material	Body, Cap	Brass, Brass Nickel Plated, Stainless Steel, Aluminium
	Inner Part	Brass, Brass Nickel Plated, Stainless Steel, Aluminium
	Seal	CR (Chloroprene), Silicone
	O-ring	CR (Chloroprene), Silicone
Ingress Protection Rating	IP 68 - 5 Bar, 30 min IP 66	
Operating Temperature	Seal Material	
	CR (Chloroprene)	Silicone
	-40°C to +100°C	-60°C to +130°C
Equipment For	Gas & Dust potentially explosive atmospheres	
Suitable for use in	Group II	Gas Group IIC ZONE1/ZONE2
	Group III	Dust Group IIIC ZONE21/ZONE 22
Equipment Marking	Ex II 2GD Ex db IIC Gb Ex eb IIC Gb Ex tb IIIC Db	
Marking Example *	BMD KBAO.. CE 0722  II 2GD Ex db IIC Gb Ex eb IIC Gb Ex tb IIIC Db	
	Ta -40°C +100°C IP66/68 CESI 13 ATEX 033X IECEx CES 13.0013X	
Thread Type	• Metric (M) ISO Pitch 1,5	
	• NPT (N) ANSI ASME B1.20.1	
	• Other thread types also available upon request.	
Cable Type	SWB - STA - Shielded	
Accessories	• Lock nuts	
	• Gaskets (Washers)	
	• Serrated Washers	
	• Shrouds	
	• Earth tags	
Remarks	• O-ring available in Metric outer threads.	
	• Accessories must be ordered separately.	
Approvals	Certificate Number	Standards
	CESI 13 ATEX 033X	EN 60079-0:2012+A11:2013 EN 60079-1:2014 EN 60079-7:2015 EN 60079-31:2014
	IECEx CES 13.0013X	IEC 60079-0:2011 Edition:6 IEC 60079-1:2014 Edition:7 IEC 60079-31:2013 Edition:2 IEC 60079-7:2015-08 Edition:5
	20170315-E199260	UL 514B UL 50E
	№ TC RU C-TR.AA87.B.00941	ГОСТ 31610.0-2014 ГОСТ IEC 60079-1:2013 ГОСТ IEC 60079-31:2013
	DNV 12.0053 X	ABNT NBR IEC 60079-0:2013, ABNT NBR IEC 60079-1:2009, ABNT NBR IEC 60079-7:2008, ABNT NBR IEC 60079-31:2011
	E-14044	IEC/EN60079-0, IEC/EN60079-7, IEC/EN60079-31 IEC/EN60079-1, IEC/EN 62444
	MASC MS/18-0240X	SANS (IEC) 60079-0 : 2011 SANS (IEC) 60079-1 : 2014 SANS (IEC) 60079-7 : 2007 SANS (IEC) 60079-31 : 2014

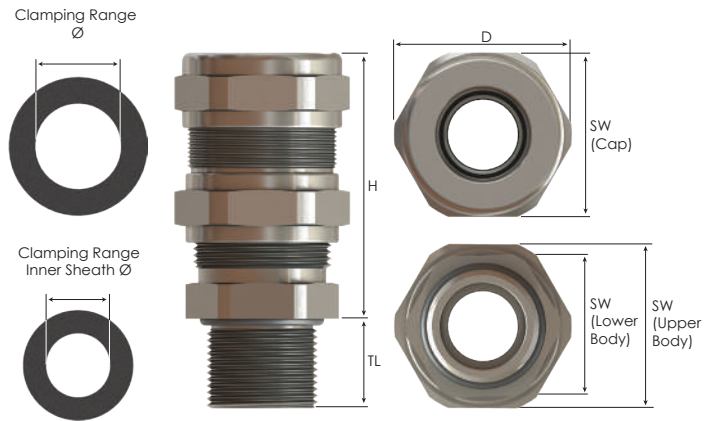
- For more information see our webpage.

* The standard marking consists ATEX & IECEx only. Marking acc. to other standards on request.



ORION OFFSHORE

Cable Glands for SWB, STA and Shielded Cables



Thread Type NPT acc. to ANSI ASME B1.20.1											
Outer Thread Size (Male)	Clamping Range		Shield Wire Ø min-max mm	Outer Thread Length TL mm	Cap SW Cap mm	Spanner Width Upper Body		Lower Body SW Lower Body mm	Outer Ø D mm	max. Height H mm	Part Number
	Inner Sheath Ø min-max mm	Ø min-max mm				SW Upper Body mm	SW Lower Body mm				
NPT 1/4"	3,0 - 8,0	6,0 - 12,0	0,20 - 0,50	15,0	26	26	22	29,0	50,0	KBAO05LN	
	3,0 - 8,5	6,0 - 12,0	0,20 - 0,50	16,0	26	26	22	29,0	49,5	KBAO01SN KBAO01N	
NPT 3/8"	6,0 - 12,0	8,5 - 16,0	0,20 - 0,50	16,0	29	29	25	31,5	52,0	KBAO01N	
	3,0 - 8,5	6,0 - 12,0	0,20 - 0,50	21,0	26	26	24	29,0	49,5	KBAO1SN	
NPT 1/2"	6,0 - 12,0	8,5 - 16,0	0,20 - 0,50	21,0	29	29	25	31,5	51,0	KBAO1N	
	8,5 - 14,5	12,0 - 20,0	0,20 - 0,50	21,0	32	30	28	35,0	54,0	KBAO1LN	
	3,0 - 8,5	6,0 - 12,0	0,20 - 0,50	21,0	26	26	29	31,5	50,0	KBAO2XSN	
NPT 3/4"	6,0 - 12,0	8,5 - 16,0	0,20 - 0,50	21,0	29	29	29	31,5	52,5	KBAO2SN	
	8,5 - 16,0	12,0 - 21,0	0,20 - 0,40	21,0	34	34	32	37,0	56,5	KBAO2N	
	12,0 - 20,0	16,0 - 26,0	0,20 - 0,50	21,0	40	40	36	44,0	62,5	KBAO2LN	
NPT 1"	6,0 - 12,0	8,5 - 16,0	0,20 - 0,50	26,0	29	29	36	39,8	52,5	KBAO3XSN	
	12,0 - 20,0	16,0 - 26,0	0,20 - 0,50	26,0	40	40	40	44,0	64,0	KBAO3SN	
	15,0 - 26,0	20,0 - 33,0	0,30 - 0,80	26,0	52	52	48	57,0	80,5	KBAO3N	
NPT 1 1/4"	12,0 - 20,0	16,0 - 26,0	0,20 - 0,50	28,0	40	40	45	50,0	64,0	KBAO4XSN	
	15,0 - 26,0	20,0 - 33,0	0,30 - 0,80	28,0	52	52	48	57,0	81,0	KBAO4SN	
	20,0 - 32,0	29,0 - 41,0	0,15 - 0,75	28,0	60	60	55	66,0	92,0	KBAO4N	
NPT 1 1/2"	15,0 - 26,0	20,0 - 33,0	0,30 - 0,80	28,0	52	52	54	60,0	81,0	KBAO5XSN	
	20,0 - 32,0	29,0 - 41,0	0,15 - 0,75	28,0	60	60	55	66,0	92,0	KBAO5XMN	
	22,0 - 35,0	33,0 - 48,0	0,25 - 0,90	28,0	75	70	60	83,0	100,0	KBAO5SN	
	27,0 - 41,0	36,0 - 52,0	0,25 - 1,30	28,0	74	70	70	81,8	104,5	KBAO5N	
NPT 2"	22,0 - 35,0	33,0 - 48,0	0,25 - 0,90	28,0	75	70	68	83,0	100,0	KBAO6XSN	
	27,0 - 41,0	36,0 - 52,0	0,25 - 1,30	28,0	74	70	70	81,8	104,5	KBAO6XMN	
	35,0 - 45,0	43,0 - 57,0	0,40 - 1,10	28,0	80	80	75	89,5	109,5	KBAO6SN	
	40,0 - 52,0	47,0 - 60,0	0,30 - 1,30	28,0	85	85	85	94,0	111,5	KBAO6N	
NPT 2 1/2"	35,0 - 45,0	43,0 - 57,0	0,40 - 1,10	41,0	80	80	80	89,5	109,0	KBAO7XSN	
	40,0 - 52,0	47,0 - 60,0	0,30 - 1,30	41,0	85	85	85	94,0	111,5	KBAO7SN	
	45,0 - 60,0	54,0 - 70,0	0,30 - 1,40	41,0	100	95	90	110,5	127,5	KBAO7N	
NPT 3"	40,0 - 52,0	47,0 - 60,0	0,30 - 1,30	43,0	85	85	95	105,0	111,5	KBAO8XSN	
	45,0 - 60,0	54,0 - 70,0	0,30 - 1,40	43,0	100	95	95	110,5	127,5	KBAO8SN	
	60,0 - 72,0	63,0 - 80,0	0,30 - 3,30	43,0	115	115	110	127,0	158,0	KBAO8N	
NPT 3 1/2"	45,0 - 60,0	54,0 - 70,0	0,30 - 1,40	45,0	100	95	110	123,0	127,5	KBAO9SN	
	60,0 - 72,0	63,0 - 80,0	0,30 - 3,30	45,0	115	115	110	127,0	158,0	KBAO9N	